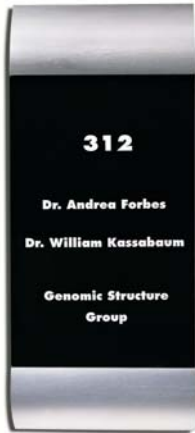
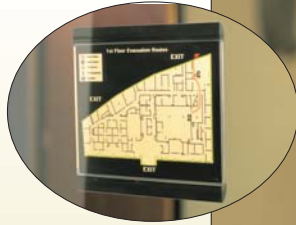


Apparent.

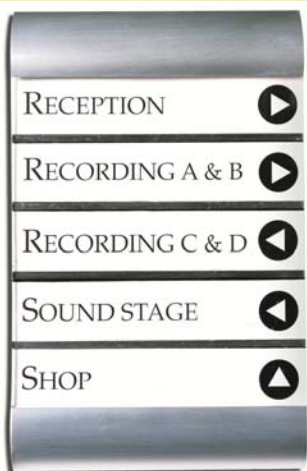
It's CLEAR that any message worth displaying is worth displaying well. **WindowFrame™** presents your laboratory sign graphics with an elegance that respects the interior environment. For sign information that changes regularly, the **WindowFrame™** system ensures that lab managers can track and update these changes easily over time, without sacrificing consistency of appearance and function.



WF.11 Room Identity



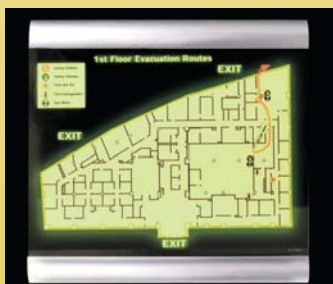
WF.10 Double Clear, Window Mount, Front and Rear Shown



WF.12 Wayfinding



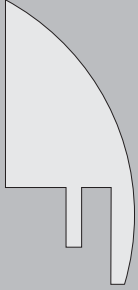
WF.10 Open 2 Sides



WF.10 Luminescent Evacuation Route



WF.10 Locking, with Sealed Sides



WINDOW FRAME SPECIFICATIONS

All graphics are produced by end user unless otherwise specified. Call your Graphics Lab representative if you would like graphics included.

SIZES & STYLES:

- Letter sized, open sides
- Letter sized, closed
- 3" x 5"

ORIENTATION

- Horizontal
- Vertical

MATERIALS & COLORS

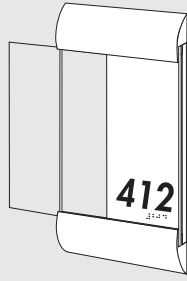
- Window: Standard or non-glare acrylic
- Frame: Anodized aluminum, many available colors and textures. Please inquire. Paint, lacquer finish, to match PMS color.

OPTIONS

- ADA Numbers & Braille applied to window
- Silkscreened graphics or vinyl applied to window or frame
- Clear back for applying to interior windows, gives double exposure

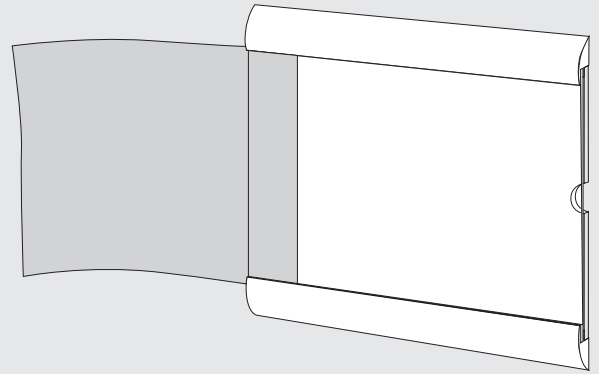
WINDOW SIGNS

3" x 5" - Open 2 Sides



USE FOR: Room Data, Door Titles, Nameplates on Doors and Cubicles (ADA numbers available).

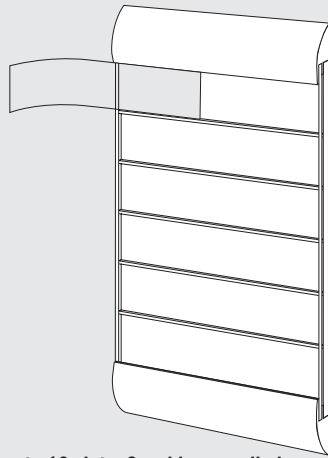
Letter Size - Open 2 Sides



USE FOR: Room Data, Evacuation Routes, Changing Notices

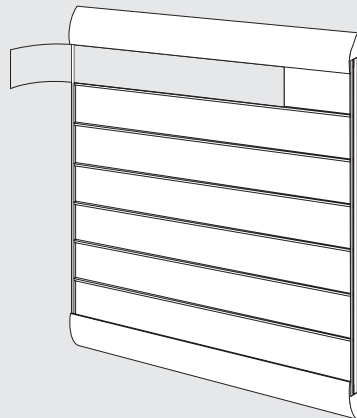
WAYFINDING SIGNS

1" x 5" Strips - Open 2 Sides



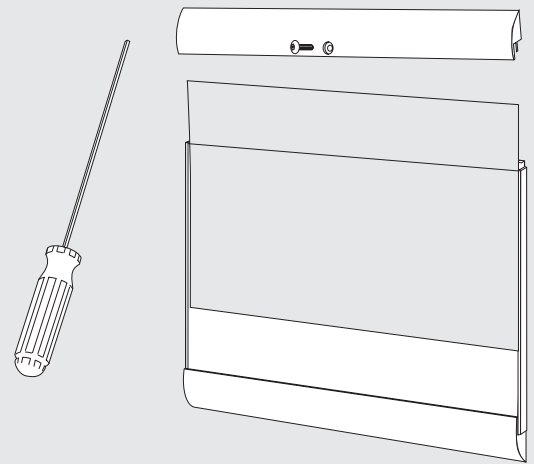
Specify up to 12 slots. Graphics supplied on request as paper or vinyl.

2" x 11" Strips - Open 2 Sides



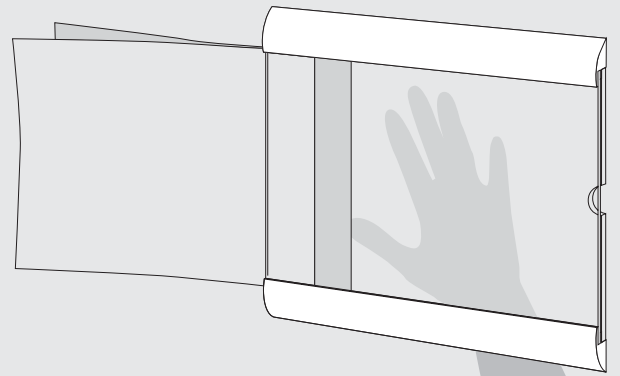
Specify up to 12 slots. Graphics supplied on request as paper or vinyl.

Secured w/Locking Header & Sealed Sides



Stainless steel locking screw comes with special tool.

Letter Size - Open 2 Sides - Clear Back



USE FOR: Interior windows and glass doors for holding two graphics, one facing in, one facing out.

Your Graphics Lab Representative: